

PRODUCT OVERVIEW

Automatic lubricators



simalube[®]
smart lubrication

simalube

Advantages of automatic lubrication with simalube	3
simalube – the lubrication expert	4/5
simalube 15 ml	6
simalube multipoint	7
simalube IMPULSE	8/9
Applications	10/11
Standard lubricants	12
Accessories	13/14/15



simalube: continuous lubrication ensures low costs and high reliability

Millions of simalube lubricators are used worldwide in every industry. They are the best and most economical solution for the continuous supply of grease or oil for periods of up to one year.

simalube – everywhere forces act, something spins or something moves.



Tom Maintain

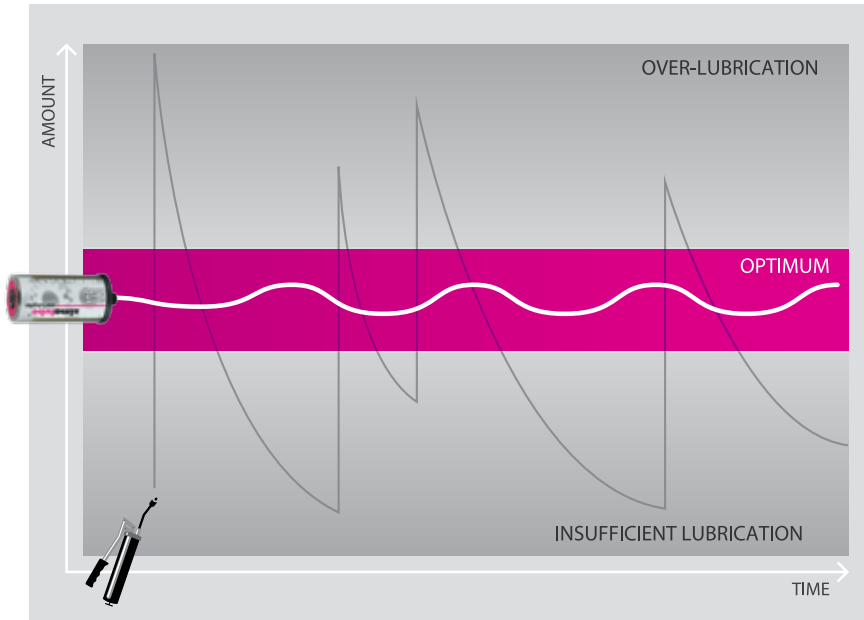
Because my bearings are worth it!

«Once installed, simalube lubricators lubricate evenly, accurately and reliably. This is not at all possible with manual lubrication.»

Advantages of automatic lubrication with simalube

simalube lubricators replace costly manual lubrication. This not only saves time, but also prevents insufficient or over-lubrication. The costs can thus be reduced by up to 30 percent.

Optimized lubricant delivery



Continuous lubricant delivery with simalube effectively prevents insufficient or over-lubrication that often occurs with manual lubrication.

Lower costs thanks to simalube



Up to 30 percent lower costs:

- Time-saving and greater safety at work thanks to fewer maintenance intervals
- Longer machine service life and less unplanned down-time

Benefits of automatic lubrication with simalube



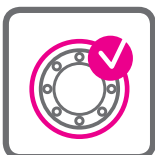
No more manual lubrication

- Saves time
- Greater work safety
- Hard-to-reach lubrication points are permanently supplied
- Lower lubricant consumption



No under- or over-lubrication of components

- Less wear
- Less machine downtime
- Increased machine performance



Sealed, dustproof and waterproof system

- No more confusion of lubricants
- Reduced risk of contamination
- No contamination of lubrication points



Compliance with international standards

- TÜV-tested and Ex certified in all zones
- Improved workplace safety
- No environmental impact thanks to recycling and disposal according to regulations

simalube –
the lubrication expert



simalube – the automatic single-point lubricator

Available in 5 sizes, simalube supplies various lubrication points with lubricant around the clock. Day in, day out – for up to one year.

Take advantage of the simalube benefits

Reliability

- Lubrication points are continuously supplied with lubricant
- No lubrication point is missed
- Easy monitoring of the dispensing process thanks to the transparent housing

Environmental sustainability

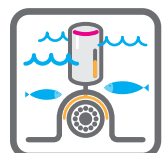
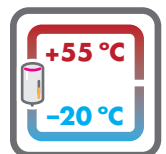
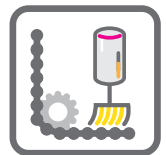
- simalube can be refilled up to 3 times
- Easy disposal at end of dispensing cycle
- simalube lubricators do not contain toxic substances

Flexibility

- simalube is available in 5 sizes: 15, 30, 60, 125 and 250 ml
- Freely selectable dispensing cycle of 1 to 12 months
- Dispensing cycle can be modified anytime
- simalube is available filled or empty for self-filling

Unlimited range of uses (see pages 10/11)

- In confined and hard-to-reach spaces
- In any location, even underwater
- At ambient temperatures of -20 °C to $+55\text{ °C}$
- Numerous installation options thanks to a large range of accessories
- The standard lubricant range includes modern and proven high-performance lubricants for all applications (see pages 12/13)



Components



Specifications

Product	Automatic long-term grease and oil lubricator			
Power generation	Hydrogen gas producing drycell			
Working pressure	Max. 5 bar			
Adjustment	Stepless 1–12 month (for standard conditions)			
Operating temperature	–20 °C to +55 °C ambient temperature (Grease consistency changes with temperature)			
Storage temperature	Recommended at 20 °C ± 5 °C			
Lubricator volume	30 ml	60 ml	125 ml	250 ml
Weight full	~82 g	~115 g	~190 g	~335 g
Weight empty	~55 g	~60 g	~75 g	~111 g
Refill	The 30–250 ml simalubes are refillable.			



Certifications



Ø 52 mm
(2.05 in)



R 1/4"

simalube 250

Ø 52 mm
(2.05 in)



R 1/4"

simalube 125

Ø 52 mm
(2.05 in)



R 1/4"

simalube 60

Ø 52 mm
(2.05 in)



R 1/4"

simalube 30

simalube 15 ml



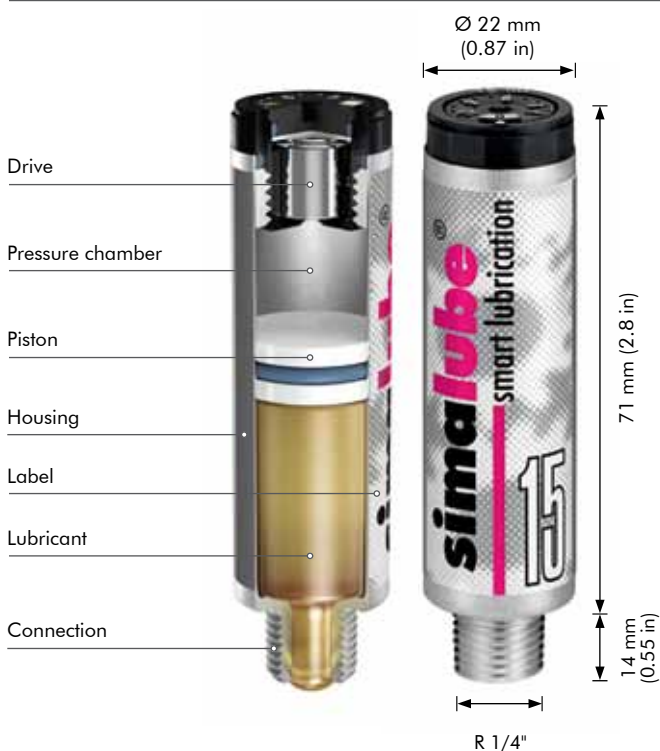
The smallest automatic lubricator

In confined spaces, the 15 ml simalube offers the perfect solution. With its compact size, it is unique on the global market as the smallest automatic lubricator. It functions the same as the larger simalube lubricators and offers the same advantages.



Small size delivers big performance

- Space-saving thanks to compact size
- Robust aluminium enclosure
- Same installation and function as other simalube lubricators
- Alternative to the simalube multipoint when less than 5 lubrication points are needed (see page 7)

Dimensions



Specifications

Product	Automatic, long-term grease and oil lubricator
Power generation	Hydrogen gas producing drycell
Working pressure	Max. 5 bar
Adjustment	Stepless 1–12 months (for standard conditions)
Operating temperature	–20 °C to +55 °C ambient temperature (Grease consistency changes with temperature)
Storage temperature	Recommended at 20 °C ± 5 °C
Lubricator volume	15 ml
Weight full/empty	~35 g / ~21.5 g
Certifications	 

simalube multipoint



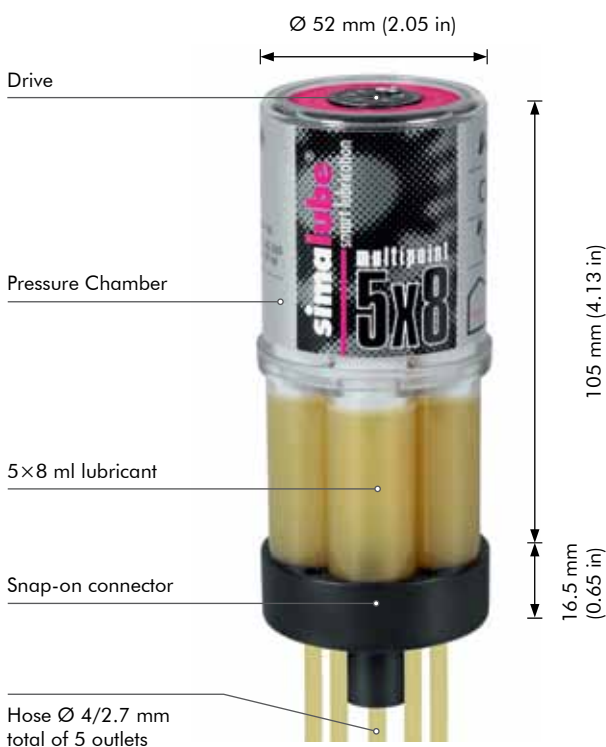
Automatic multi-point lubricator

The simalube multipoint simultaneously supplies 5 lubrication points for up to one year in the same reliable way as the other proven simalube lubricators. Thanks to the snap-on connector, simalube multipoint can be replaced easily and quickly when empty.




The versatile lubricator for linear guides

- 5×8 ml lubricant volume
- Allows very low lubricant delivery over a long period of time
- Snap-on connector for multipoint
- Quick couplings for connecting hoses
- Ideally suited for lubrication of linear guides

Dimensions



Specifications

Product	Automatic, multi-point, long-term lubricators for grease and oil
Power generation	Hydrogen gas producing drycell
Working pressure	Max. 5 bar
Adjustment	Stepless 1–12 months (for standard conditions)
Operating temperature	–20 °C to +55 °C ambient temperature (grease consistency changes with temperature)
Storage temperature	Recommended at 20 °C ±5 °C
Lubricator volume	5×8 ml
Weight full/empty	~147 g / ~120 g
Certifications	  

simalube IMPULSE



Pressure booster up to 10 bar

The simalube IMPULSE ensures reliable lubrication in situations with high counter-pressure and long lubrication lines. With the automatic simalube lubricators, this pressure booster pumps greases and oils at up to 10 bar and 0.5 ml per impulse to the targeted lubrication point.

The LED display of the intelligent pressure booster provides information continuously about the current operating condition, and flashes green when the device is functioning correctly.

Powerhouse in compact form

Functionality

- Lubrication impulses of 0.5 ml of oil or grease up to NLGI 2 at a pressure of up to 10 bar
- Indication of operating condition via flashing LED status display (green/red)
- Dispensing time can be modified at any time via the lubricator
- Modular system, fully compatible with 60, 125 and 250 ml simalube lubricators
- The lubricator can be replaced without removing the simalube IMPULSE
- Gentle on all lubricants, as only the dosing quantity is under pressure

Diverse applications

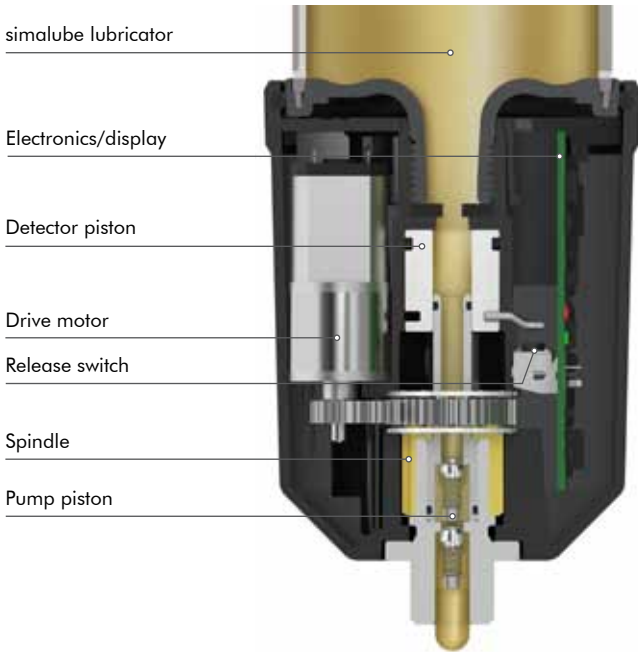
- Can be installed outside of high-temperature or hazardous areas with tubes up to 4 metres long
- The compact format means it can be installed in very small spaces
- Functions perfectly in all positions, even underwater

Efficiency

- High cost savings thanks to reusability



Components



Specifications

Product	Automatic pressure booster for the simalube lubricator
Drive system	Electromechanical
Power supply	Battery pack (alkaline), 6 V 2.3 Ah Battery pack (lithium) for low temperatures, 6 V 2.9 Ah
Function display	LED status display: green/red every 10 seconds
Dispensing volume	0.5 ml per stroke
Working pressure	Up to 10 bar
Time setting	1 to 12 months – determined by the setting on the simalube
Operating temperature	-10 °C to +55 °C
Lubrication rate	Depends on the size and settings of the simalube: 0.17 to 8.3 ml/day
Lubricator volume	According to lubricator: 60 ml, 125 ml or 250 ml
Lubricant	Grease up to NLGI 2 or oil
Installation position	Any
Weight	0.24 kg
Warranty & service life	3 years from the production date or until 10 simalube lubricators (125 ml) have been emptied

Tests/Approvals



Install simalube IMPULSE



Install simalube IMPULSE. Insert battery pack, screw in simalube lubricator and adjust time.

Simple refilling



Procure new battery pack and new cartridge, refill dispenser yourself ...



... or procure a new battery pack and new simalube lubricator.



simalube applications

LIFTING DEVICES



The spindles of a lifting station for railway wagons and locomotives are lubricated with 125 ml simalube over 12 months.

FOOD INDUSTRY



The drive chain of a transport belt, which allows rolls to cool, is cleaned with special blue brushes and lubricated with 2 simalube SL18 in 30 and 60 ml sizes.

GRAVEL AND CONCRETE PLANTS



Two 250 ml simalube lubricators with brushes lubricate and clean the chain drive of a drum washing machine.

CRANES



125 ml simalube lubricators lubricate the rotating assembly of a crane.

GRAVEL AND CONCRETE PLANTS



The simalube IMPULSE with a 125 ml lubricator is used in gravel plants. The IMPULSE pushes the lubricant with a pressure of 10 bar through a 4-metre lubrication line.

ELEVATORS AND ESCALATORS



The 125 ml simalube maintains the guide rails of elevators and prevents dry friction. The system is attached directly to the cabin roof.

PRINTING INDUSTRY



A simalube multipoint can lubricate 5 linear guides of a cutting and paper stacking machine in a printing house.

WATER TREATMENT/SEWAGE TREATMENT PLANTS



60 ml lubricators on the electric motor and the drive shaft ensure continuous lubrication of a centrifugal pump.

RECYCLING



A 125 ml simalube lubricates the pedestal bearing of a conveyor belt.









MACHINERY AND PLANT ENGINEERING











15 ml simalube lubricators with brushes constantly supply the rack of a loading machine with oil. Additional 15 ml simalube lubricators lubricate the flange bearings with grease.



simalube standard lubricants and accessories

GREASE	NLGI	Thickener	Temperature range	Viscosity at 40 °C	Applications						
					Roller bearings	Plain bearings	Linear guides	Gears/Toothed racks	Spindles	Shaft seals	Chains
											
SL01 Water-resistant, long-term grease	2	Lithium-calcium	-30 °C to 120 °C	118	+	+	•	•	+	+	-
SL02 High-performance grease with MoS ₂	2	Lithium	-25 °C to 130 °C	270	•	+	-	+	-	-	-
SL04 High-temperature grease for long-term lubrication (EP)	2	Inorganic thickener	-20 °C to 160 °C	540	+	•	-	•	•	-	-
SL06 Water-resistant, fluid grease (EP)	0	Lithium-calcium	-20 °C to 120 °C	150	+	+	+	+	•	-	-
SL09 Universal grease, readily biodegradable	2	Lithium-calcium	-20 °C to 100 °C	100	+	+	•	•	-	-	-
SL10 Special grease for food, beverage and pharmaceutical industries 	2	Aluminium complex	-30 °C to 140 °C	350	+	+	•	+	•	-	-
SL24 Lubricating grease for a wide temperature range (EP)	2	Lithium complex	-30 °C to 140 °C	185	+	+	•	•	+	+	-
SL25 High-temperature polyurea lubricating grease	2	Polyurea	-20 °C to 160 °C	110	+	•	-	•	•	-	-
SL26 Calcium sulfonate complex grease (EP)	1.5	Calcium complex	-20 °C to 150 °C	460	+	+	-	•	•	-	-

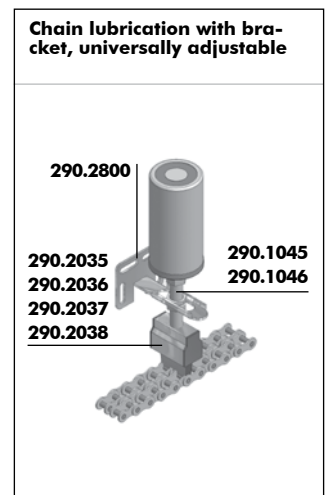
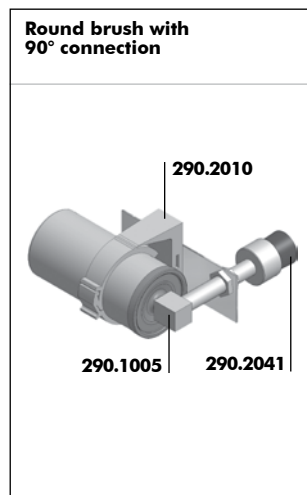
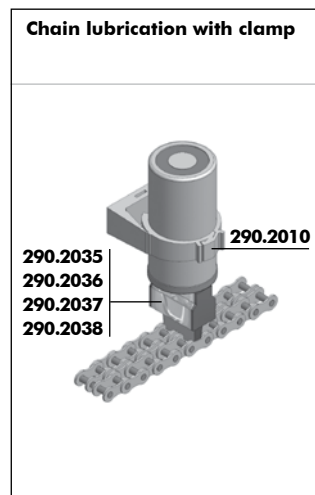
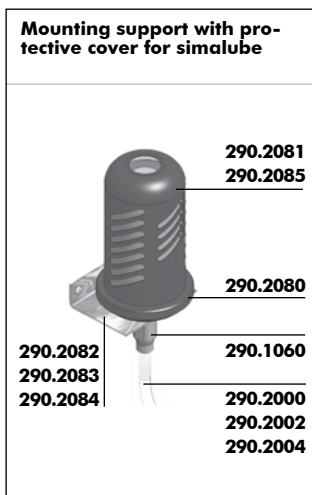
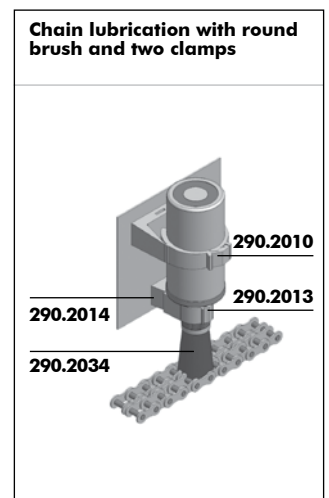
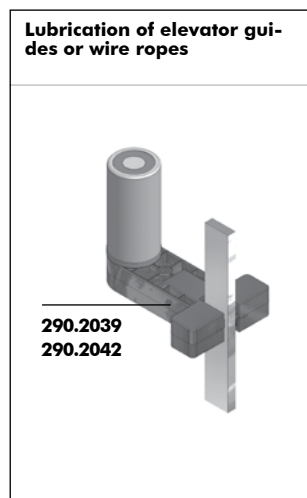
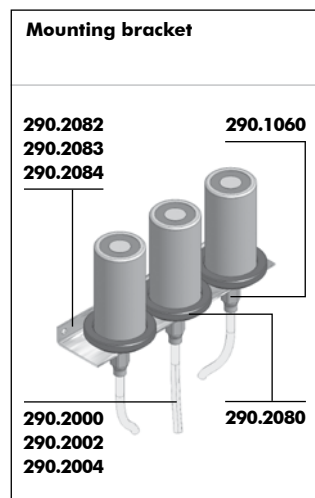
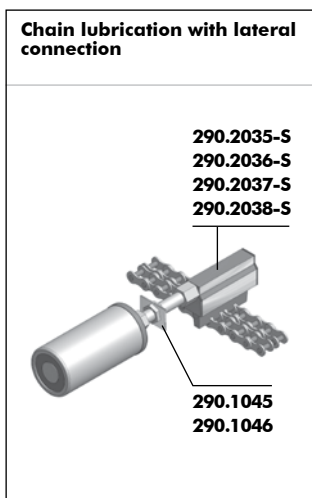
+ recommended • possible - not recommended

OIL	ISO-VG	Base oil	Temperature range	Viscosity at 40 °C	Applications						
					Roller bearings	Plain bearings	Linear guides	Gears/Toothed racks	Spindles	Shaft seals	Chains
											
SL14 Chain oil (EP)	68	Mineral oil	-10 °C to 90 °C	68	-	•	•	-	-	-	+
SL15 High-temperature chain oil (EP)	-	Synthetic oil	-30 °C to 250 °C	250	-	•	•	-	-	-	+
SL16 Paraffinic lubricating oil	68	Mineral oil	-20 °C to 100 °C	68	-	•	•	-	-	-	+
SL18 High performance lubricating oil for the food, animal feed and pharmaceutical industry	 220	Synthetic oil	-15 °C to 150 °C	220	-	•	•	-	-	-	+
SL19 Organic chain oil	-	Rapeseed oil	-15 °C to 100 °C	60	-	•	•	-	-	-	+

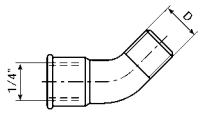
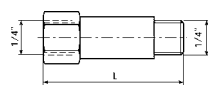
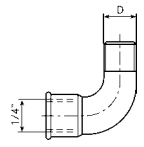
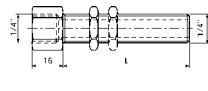
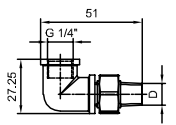
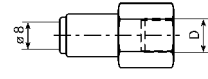
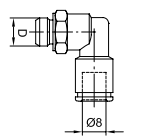
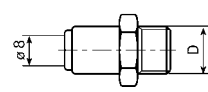
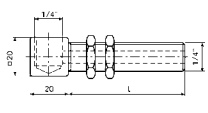
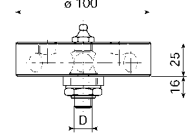
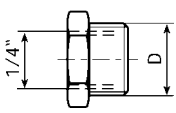
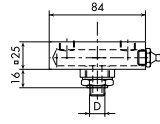
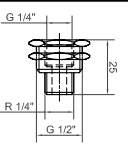
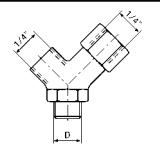
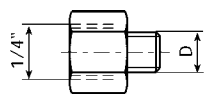
+ recommended • possible - not recommended

Application examples

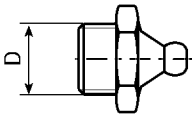
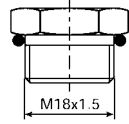
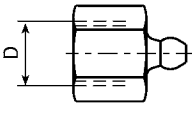
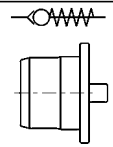
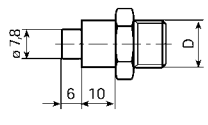
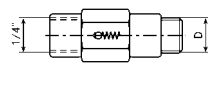
The simalube can be easily installed anywhere and in any position with these accessories.



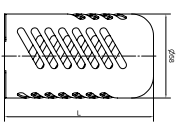
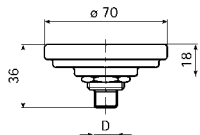
Connections

	Bent connection 45° D R 1/4 Nr. 290.1001		Extension L 10 35 50 [mm] Nr. 290.1021 290.1040 290.1041
	Bent connection 90° D R 1/4 Nr. 290.1002		Screwed connection with hole, 25 mm incl. 1 nut / 60 mm, incl. 2 nuts L 25 60 [mm] Nr. 290.1045 290.1046
	Bent connection 90° swiveling D R 1/4 Nr. 290.1004		Quick connection, for hose Ø 8 mm D G 1/4 Nr. 290.1060
	Rotary elbow, for hose Ø 8 mm D G 1/8 G 1/4 Nr. 290.1007 290.1008		Quick connection, for hose Ø 8 mm D G 1/8 G 1/4 G 3/8 Nr. 290.1070 290.1071 290.1072
	90° connection with thread, incl. 2 nuts (only for oil) L 70 [mm] Nr. 290.1005		4-fold adapter D G 1/2 G 1/4 Nr. 290.4100 290.4101
	Connecting nipple D G 3/8 G 1/2 Nr. 290.1010 290.1011		2-fold adapter D G 1/2 G 1/4 Nr. 290.4102 290.4103
	Fixation nipple G 1/2" - R 1/4" L 25 [mm] Nr. 290.1015		Y-manifold, contains reduction art. 290.1021 D R 1/4 Nr. 290.1050
	Reducing nipple D G 1/8 G 1/4 M 6 M 8 M 8x1 Nr. 290.1020 290.1021 290.1022 290.1023 290.1024 D M 10 M 10x1 M 12 M 12x1.5 UNF 1/4 Nr. 290.1025 290.1026 290.1027 290.1028 290.1121		

Lubricator accessories and miscellaneous

	Filling nipple, for cleaning and filling of grease lines D R 1/4 Nr. 290.3011		Gas generator, for refilling L 30 ml 60 ml 125 ml 250 ml Nr. 220.5004 220.5006 220.5008 220.5010
	Refill nipple, for refilling of simalube D G 1/4 Nr. 290.3012		Non-return valve plug, Plastic Nr. 290.5060
	Refill nipple, to grease gun filler for filling simalube D R 1/4 R 3/8 Nr. 290.3013 290.3014		Non-return valve D G 1/8 G 1/4 Nr. 290.2020 290.2021

Safety accessories

	Protective cover, to mounting support art. 290.2080 L ≤125 ml 250 ml 105 195 [mm] Nr. 290.2081 290.2085		Mounting support, for all simalube sizes D R 1/4 Nr. 290.2080
---	---	--	--

Brushes

	<p>Round brush</p> <p>D x L Ø 25 x 45 [mm] Nr. 290.2034</p>		<p>Brush lateral connection, SFN for food applications</p> <table border="1"> <tr> <td>L</td> <td>25</td> <td>40</td> <td>70</td> <td>100</td> <td>[mm]</td> </tr> <tr> <td>Nr.</td> <td>290.2038-S</td> <td>290.2035-S</td> <td>290.2036-S</td> <td>290.2037-S</td> <td></td> </tr> <tr> <td>Nr.</td> <td>290.2038-SFN</td> <td>290.2035-SFN</td> <td>290.2036-SFN</td> <td>290.2037-SFN</td> <td></td> </tr> </table>	L	25	40	70	100	[mm]	Nr.	290.2038-S	290.2035-S	290.2036-S	290.2037-S		Nr.	290.2038-SFN	290.2035-SFN	290.2036-SFN	290.2037-SFN			
L	25	40	70	100	[mm]																		
Nr.	290.2038-S	290.2035-S	290.2036-S	290.2037-S																			
Nr.	290.2038-SFN	290.2035-SFN	290.2036-SFN	290.2037-SFN																			
	<p>Round brush short</p> <p>D x L Ø 25 x 15 [mm] Nr. 290.2041</p>		<p>Elevator brush, 5-16 mm, height 32 mm Elevator brush, 16-32 mm, height 32 mm</p> <table border="1"> <tr> <td>Nr.</td> <td>290.2039</td> <td>Nr.</td> <td>290.2044</td> </tr> </table>	Nr.	290.2039	Nr.	290.2044																
Nr.	290.2039	Nr.	290.2044																				
	<p>Brush, FN for food applications</p> <table border="1"> <tr> <td>L</td> <td>25</td> <td>40</td> <td>70</td> <td>100</td> <td>[mm]</td> </tr> <tr> <td>Nr.</td> <td>290.2038</td> <td>290.2035</td> <td>290.2036</td> <td>290.2037</td> <td></td> </tr> <tr> <td>Nr.</td> <td>290.2038-FN</td> <td>290.2035-FN</td> <td>290.2036-FN</td> <td>290.2037-FN</td> <td></td> </tr> </table>	L	25	40	70	100	[mm]	Nr.	290.2038	290.2035	290.2036	290.2037		Nr.	290.2038-FN	290.2035-FN	290.2036-FN	290.2037-FN			<p>Elevator brush small, 5-16 mm, height 32 mm</p> <table border="1"> <tr> <td>Nr.</td> <td>290.2042</td> </tr> </table>	Nr.	290.2042
L	25	40	70	100	[mm]																		
Nr.	290.2038	290.2035	290.2036	290.2037																			
Nr.	290.2038-FN	290.2035-FN	290.2036-FN	290.2037-FN																			
Nr.	290.2042																						

Installation accessories

	<p>Hose, available by the metre</p> <p>L per metre Ø 8/6 mm Nr. 290.2000/...m</p>		<p>Adapter for clamp (60 mm), Plastic</p> <table border="1"> <tr> <td>D</td> <td>50</td> <td>[mm]</td> </tr> <tr> <td>Nr.</td> <td>290.2012</td> <td></td> </tr> </table>	D	50	[mm]	Nr.	290.2012										
D	50	[mm]																
Nr.	290.2012																	
	<p>Hose for temperatures up to 260 °C, available by the meter</p> <p>L per metre Ø 8/6 mm Nr. 290.2002/...m</p>		<p>Distance holder, to clamp for round brush art. 290.2013</p> <table border="1"> <tr> <td>H</td> <td>15</td> <td>[mm]</td> </tr> <tr> <td>Nr.</td> <td>290.2014</td> <td></td> </tr> </table>	H	15	[mm]	Nr.	290.2014										
H	15	[mm]																
Nr.	290.2014																	
	<p>Hose for small bend radius, available by the metre</p> <p>L per metre Ø 8/6 mm Nr. 290.2004/...m</p>		<p>Bracket, to mounting support simalube art. 290.2080</p> <table border="1"> <tr> <td></td> <td>1x</td> <td>3x</td> <td>5x</td> <td></td> </tr> <tr> <td>L</td> <td>75</td> <td>240</td> <td>390</td> <td>[mm]</td> </tr> <tr> <td>Nr.</td> <td>290.2082</td> <td>290.2083</td> <td>290.2084</td> <td></td> </tr> </table>		1x	3x	5x		L	75	240	390	[mm]	Nr.	290.2082	290.2083	290.2084	
	1x	3x	5x															
L	75	240	390	[mm]														
Nr.	290.2082	290.2083	290.2084															
	<p>Clamp for simalube/round brush, Plastic</p> <table border="1"> <tr> <td>D</td> <td>22</td> <td>28</td> <td>50</td> <td>[mm]</td> </tr> <tr> <td>Nr.</td> <td>290.2015</td> <td>290.2013</td> <td>290.2010</td> <td></td> </tr> </table>	D	22	28	50	[mm]	Nr.	290.2015	290.2013	290.2010			<p>Bracket, universally adjustable</p> <table border="1"> <tr> <td>Nr.</td> <td>290.2800</td> </tr> </table>	Nr.	290.2800			
D	22	28	50	[mm]														
Nr.	290.2015	290.2013	290.2010															
Nr.	290.2800																	
	<p>Magnetic fixture, for clamps</p> <table border="1"> <tr> <td>Nr.</td> <td>290.2019</td> </tr> </table>	Nr.	290.2019															
Nr.	290.2019																	

simalube multipoint installation components

	<p>Quick connection, for hose Ø 4 mm</p> <table border="1"> <tr> <td>D</td> <td>R 1/8</td> <td>R 1/4</td> <td>M 5</td> <td>M 6</td> </tr> <tr> <td>Nr.</td> <td>290.1170</td> <td>290.1171</td> <td>290.1172</td> <td>290.1173</td> </tr> </table>	D	R 1/8	R 1/4	M 5	M 6	Nr.	290.1170	290.1171	290.1172	290.1173		<p>Hose, available by the metre</p> <table border="1"> <tr> <td>L</td> <td>per metre</td> <td>Ø 4/2.7 mm</td> </tr> <tr> <td>Nr.</td> <td>290.2100/...m</td> <td></td> </tr> </table>	L	per metre	Ø 4/2.7 mm	Nr.	290.2100/...m	
D	R 1/8	R 1/4	M 5	M 6															
Nr.	290.1170	290.1171	290.1172	290.1173															
L	per metre	Ø 4/2.7 mm																	
Nr.	290.2100/...m																		
	<p>Connection SLM</p> <table border="1"> <tr> <td>D</td> <td>5 x Ø 4 mm</td> </tr> <tr> <td>Nr.</td> <td>290.2900</td> </tr> </table>	D	5 x Ø 4 mm	Nr.	290.2900														
D	5 x Ø 4 mm																		
Nr.	290.2900																		

Grease cartridges and oil bottles for prelubrication

	<p>Grease Cartridge, 400 ml</p> <table border="1"> <tr> <td></td> <td>SL01</td> <td>SL02</td> <td>SL04</td> <td>SL06</td> <td>SL09</td> </tr> <tr> <td>Nr.</td> <td>290.7001</td> <td>290.7002</td> <td>290.7004</td> <td>290.7006</td> <td>290.7009</td> </tr> <tr> <td></td> <td>SL10</td> <td>SL24</td> <td>SL25</td> <td>SL26</td> <td></td> </tr> <tr> <td>Nr.</td> <td>290.7010</td> <td>290.7024</td> <td>290.7025</td> <td>290.7026</td> <td></td> </tr> </table>		SL01	SL02	SL04	SL06	SL09	Nr.	290.7001	290.7002	290.7004	290.7006	290.7009		SL10	SL24	SL25	SL26		Nr.	290.7010	290.7024	290.7025	290.7026			<p>Oil bottle, 0.5 l</p> <table border="1"> <tr> <td></td> <td>SL14</td> <td>SL15</td> <td>SL16</td> <td>SL18</td> <td>SL19</td> </tr> <tr> <td>Nr.</td> <td>290.7114</td> <td>290.7115</td> <td>290.7116</td> <td>290.7118</td> <td>290.7119</td> </tr> </table>		SL14	SL15	SL16	SL18	SL19	Nr.	290.7114	290.7115	290.7116	290.7118	290.7119
	SL01	SL02	SL04	SL06	SL09																																		
Nr.	290.7001	290.7002	290.7004	290.7006	290.7009																																		
	SL10	SL24	SL25	SL26																																			
Nr.	290.7010	290.7024	290.7025	290.7026																																			
	SL14	SL15	SL16	SL18	SL19																																		
Nr.	290.7114	290.7115	290.7116	290.7118	290.7119																																		

simalube IMPULSE accessories

	<p>simalube IMPULSE, pressure booster</p> <table border="1"> <tr> <td>Nr.</td> <td>230.1000</td> </tr> </table>	Nr.	230.1000		<p>Battery pack</p> <table border="1"> <tr> <td>Power</td> <td>6 V 2.3 Ah</td> <td>6 V 2.9 Ah</td> </tr> <tr> <td>Nr.</td> <td>230.5000</td> <td>230.5001</td> </tr> </table>	Power	6 V 2.3 Ah	6 V 2.9 Ah	Nr.	230.5000	230.5001
Nr.	230.1000										
Power	6 V 2.3 Ah	6 V 2.9 Ah									
Nr.	230.5000	230.5001									

simatec – innovative solutions that deliver outstanding customer benefits

simatec is an international, Swiss family enterprise. Since its founding in 1983, this motivated team has been developing, manufacturing and marketing innovative products for the maintenance of rolling bearings under the brand names of simalube, simatherm and simatool.

The direct customer benefits are always at the forefront. Using newly developed technologies, simatec simplifies complex processes and reduces routine maintenance for tens of thousands of machines around the globe.

Select trading partners sell simatec maintenance products around the world. They provide professional service and individual, expert advice.

Maintenance products by simatec – Industrial technology



Lubricators

The simalube lubricator provides automatic lubrication over a period of one month to a year and can be adjusted in an infinitely variable manner. simalube supplies every lubricating point with the ideal amount of lubricant – be it oil or grease – so that subsequent manual lubrication is no longer needed and maintenance costs are reduced in the long term.

simalube[®]
smart lubrication



Induction Heaters

simatherm induction heaters heat circular metal parts, such as roller bearings, in a very short amount of time, so they can be installed quickly and efficiently. The inductive heating of metallic workpieces makes sense from both an economical and ecological perspective. simatec is the world's leading manufacturer of these types of heaters.

simatherm[®]
smart mounting



Tools

The simatool toolkits enable the fast installation and removal of roller bearings and seals. They are used all over the world in machine and maintenance workshops within all industries.

simatool[®]
smart tools